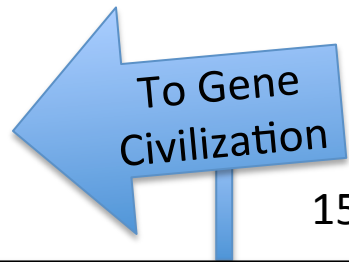
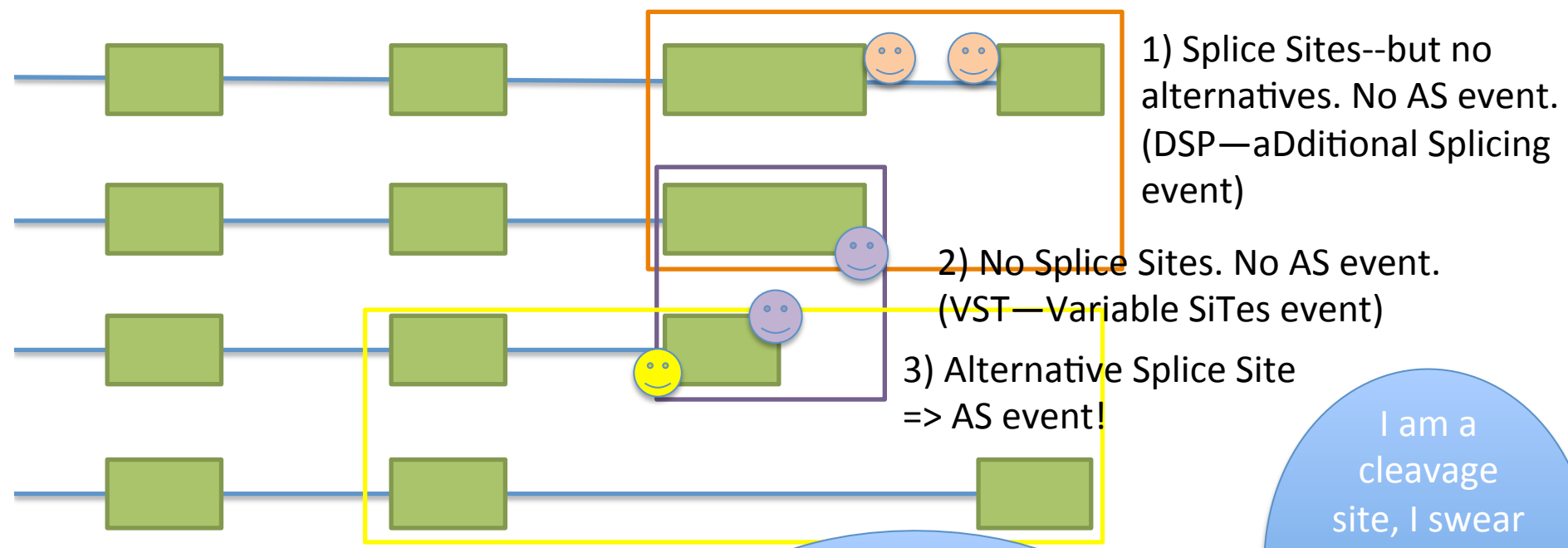


... Some Day, in a Gene Far Far Away



15,620,000

15,625,000



1) Splice Sites--but no alternatives. No AS event. (DSP—aDditional Splicing event)

2) No Splice Sites. No AS event. (VST—Variable SiTes event)

3) Alternative Splice Site => AS event!

I'm a genuine Alternative Splice Site

I'm a Splice Site but not transcribed in both transcripts

I am a cleavage site, I swear I have nothing to do with the other guys!